

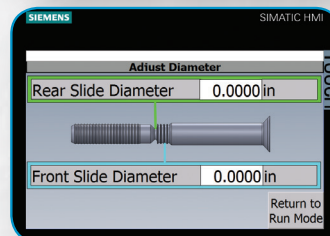
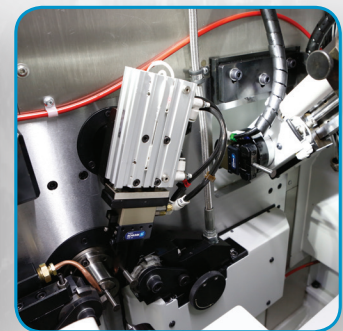
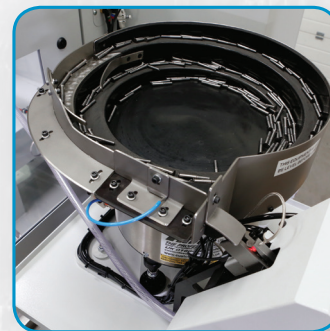
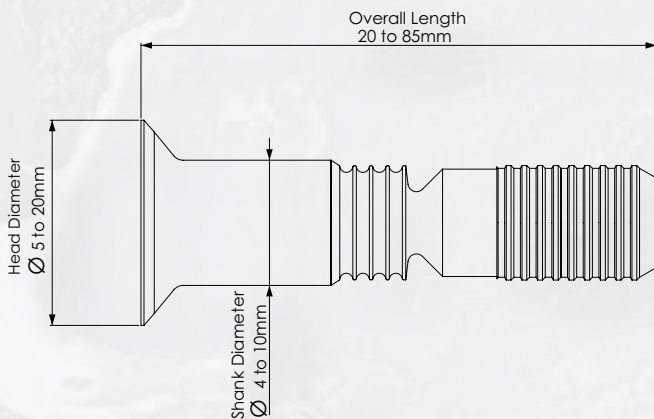
Key Points

- Turning Lock Grooves, Break-neck and Rollback Land on Titanium Aerospace Lock-Bolts
- Fully programmable servo control
- Cycle Time: < 3 seconds
- Quick Changeover

Features

- Two servo-controlled slides working simultaneously
- Absolute Linear Encoders on both slides
- High-precision 5kW 5,000 rpm servo-driven spindle
- New fast automatic loading
- Siemens or Allen Bradley control
- 8" colour touch-screen HMI
- Specially-written user-friendly software in multiple languages
- 3G / Ethernet Modem for remote access
- Fire Suppression system

Size Range



V1/1016

Earlsdon Technology Ltd
Unit 11, Spiffire Close, Coventry, CV5 6UR, Angleterre
Tél. : +44 (0) 24 7671 7023
sales@e-tech.co.uk | www.e-tech.co.uk



Truform Equipment Inc.
14744 S. McKinley Avenue, Posen, IL 60469
T: 708-897-8595 F: 708-897-8591
sales@truformequipment.com | www.truformequipment.com