



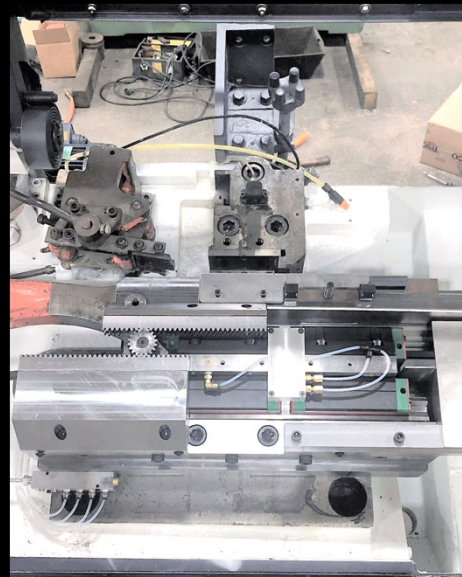
Presents



M U L E

T E C H N O L O G Y TM

REPLACE ART WITH ENGINEERING



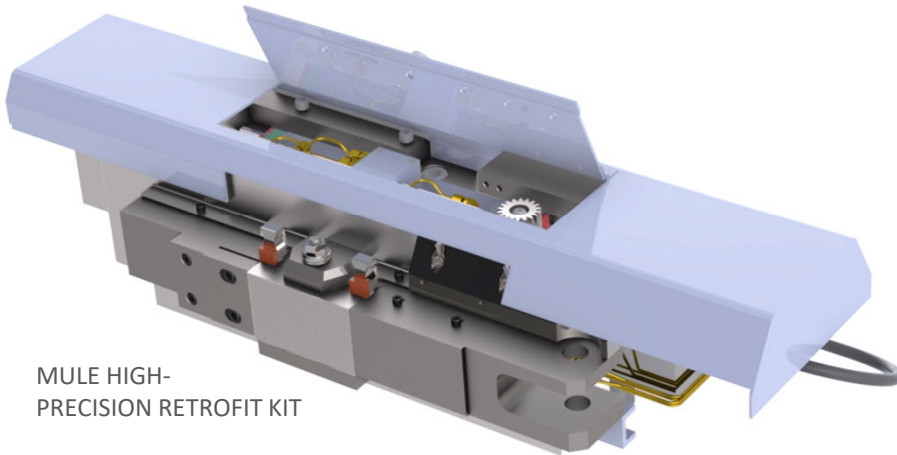
Retrofit technology for your current thread rolling equipment, turning die setups into a few minutes.

WWW.TRUFORMEQUIPMENT.COM



MULE HIGH-PRECISION RETROFIT KIT with KEYS

FOR HARTFORD THREAD ROLLING MACHINES



MULE HIGH-
PRECISION RETROFIT KIT



MULE KEYS

LABOR AVAILABILITY

Because MULE Technology™ is not dependent on a highly-trained workforce, the pool of available operators is exponentially larger.

SETUP TIME

By utilizing MULE KEYS, die setup time is dramatically reduced to 5 minutes allowing manufacturers to decrease the total overtime hours required.

REPEATABILITY

MULE Technology's simple-to-use KEYS provide operators and engineers with a method for storing part setups.

PRECISION

Ultra-high precision linear bearings and engineered die pressure adjustments prevent machine variability during operation.

MACHINE-TO-MAN

MULE Technology™ allows you to rethink how labor is allocated on the floor, enabling a higher machine-to-man ratio.

DIE LIFE

MULE Technology™ applies consistent pressure on thread rolling dies, extending die life. Every setup provides the same die life as the last.

SALES CONTACTS



TRUFORM EQUIPMENT
14744 S McKinley Ave, Posen, IL 60469

Sales@TruformEquipment.com
(708) 897-8591