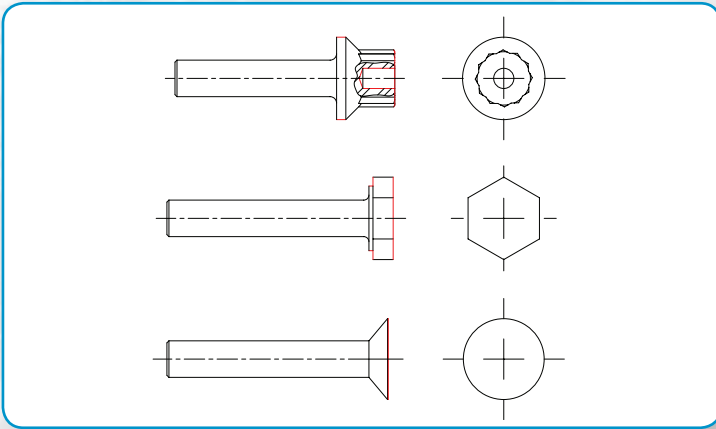




HTD-X1 Head Turning & Drilling Machine



Key Points

- Head turn and drill on one machine
- Facing and chamfering
- Drilling of axial holes

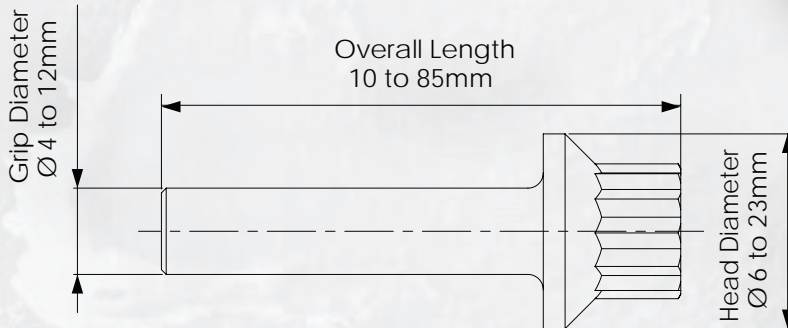
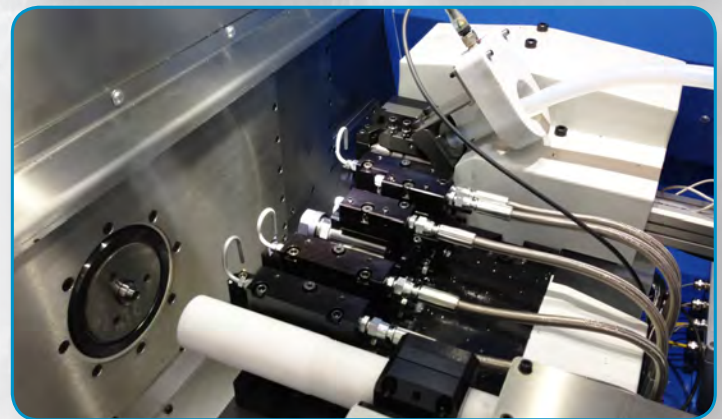
Features

- Siemens 840D sl CNC control
- Easy to learn customised graphical interface
- Heidenhain linear encoders on X and Z axes
- Fast pneumatic loading system
- 5-station gang tooling plate
- Tools with standard indexable inserts
- Pre-settable drill holders

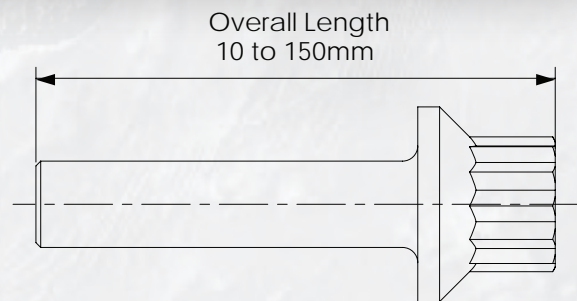
Options available include an integrated swarf conveyor and automatic crash detection system.



Size Range



Automatic Loading



Manual Loading

V1/1016

Earlsdon Technology Ltd
Unit 11, Spitfire Close, Coventry, CV5 6UR, England
T : +44 (0) 24 7671 7023
sales@e-tech.co.uk | www.e-tech.co.uk



Truform Equipment Inc.
14744 S. McKinley Avenue, Posen, IL 60469
T: 708-897-8595 F: 708-897-8591
sales@truformequipment.com | www.truformequipment.com