

## Key Points

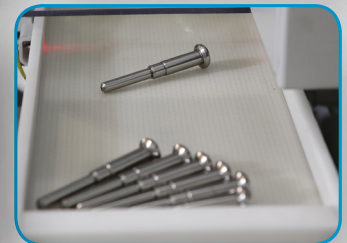
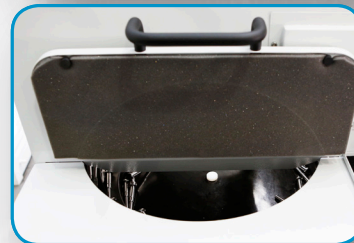
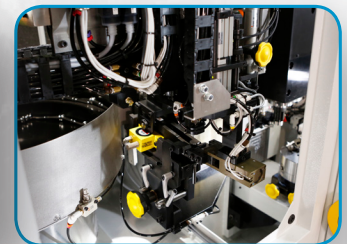
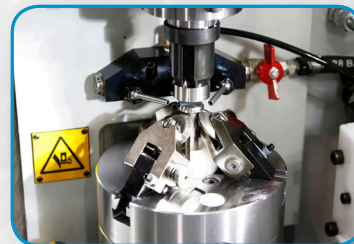
- Rolling the underhead radius of Aerospace Fasteners
- 2 Modes: Fully automatic loading or Semi-automatic loading
- Fully-automatic mode – Approximately 400 parts per hour
- Semi-automatic mode 200 - 1000 parts per hour depending on size
- Precise, programmable rolling parameters with 100% in-process checking
- Fast changeover
- Safe, clean working
- Easy maintenance
- Giving your customers 100% confidence

## Features

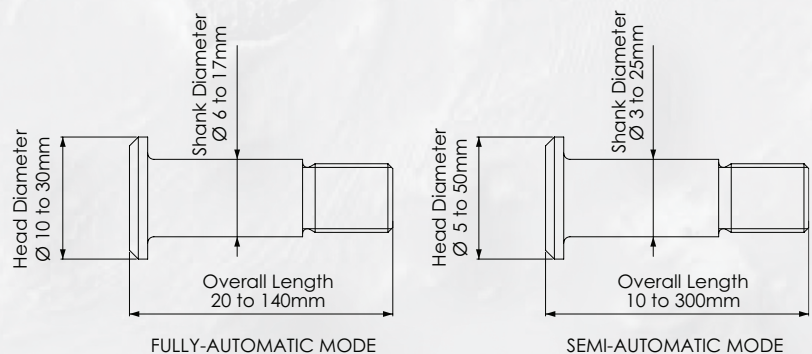
- 24" / 600 mm Ø Vibratory Bowl Feeder
- Servo-controlled Loading Arm
- Load cell to measure actual rolling force during each cycle and to check that it is within programmed limits
- Programmable control of rolling force, rpm & time
- Drive unit with inverter controlled spindle motor
- Allen Bradley or Siemens PLC control system with touch-screen HMI
- Integrated coolant tank, filter and pump
- Lockable tool tray

### Semi-automatic Mode (Manual Loading):

- Manual loading cycle initiated by touch sensitive two-hand safety buttons
- Safety light curtain to protect operator during cycle



## Size Range



V1/1016

### Earlsdon Technology Ltd

Unit 11, Spitfire Close, Coventry, CV5 6UR, England  
T: +44 (0) 24 7671 7023  
sales@e-tech.co.uk | www.e-tech.co.uk



**Truform Equipment Inc.**  
14744 S. McKinley Avenue, Posen, IL 60469  
T: 708-897-8595 F: 708-897-8591  
sales@truformequipment.com | www.truformequipment.com